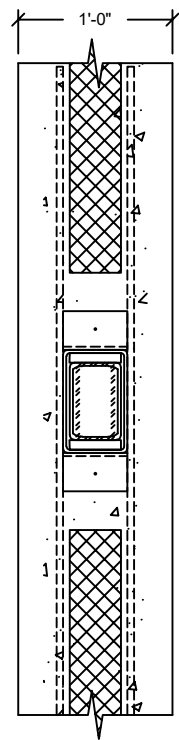
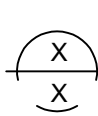
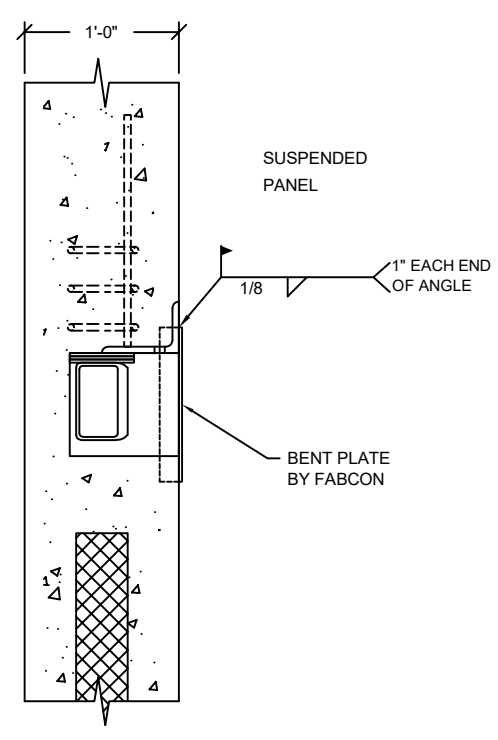
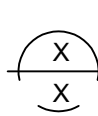

SECTION 4256.2
 1" = 1'-0"




SECTION THRU FULL HEIGHT PANEL
 1" = 1'-0"




SECTION THRU SUSPENDED PANEL
 1" = 1'-0"