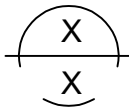
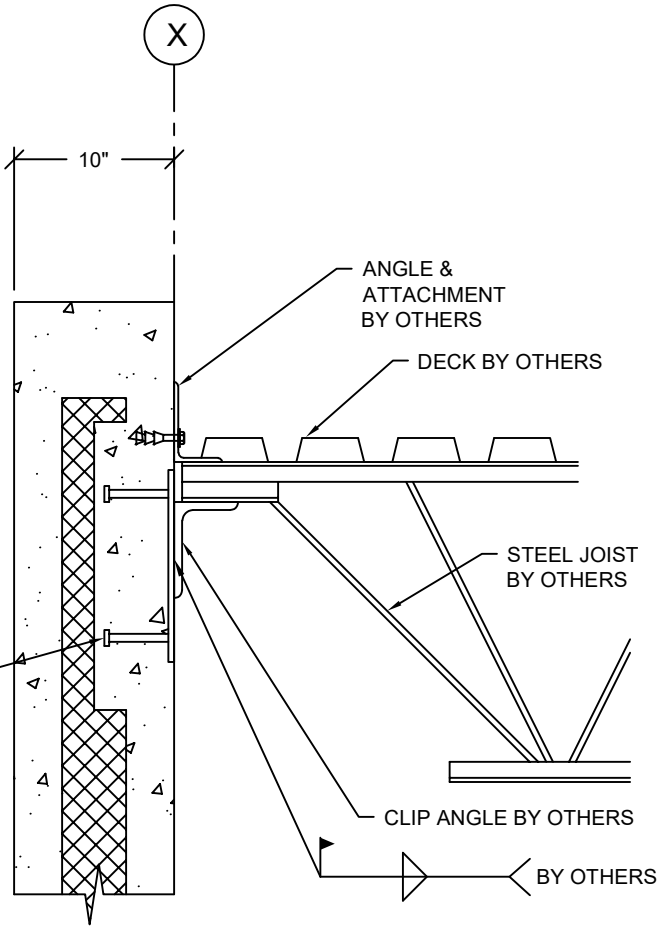


T/PANEL
—'-"-

T/JOIST
—'-"-

EMBED @ X
PER PANEL
BY FABCON



SECTION 4264

1" = 1'-0"