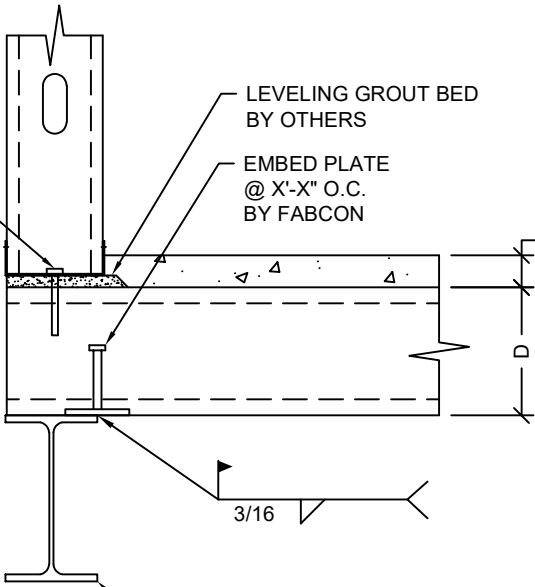


BOTTOM WALL TRACK CNX
DESIGNED, SUPPLIED AND
INSTALLED BY OTHERS

LEVELING GROUT BED
BY OTHERS

EMBED PLATE
@ X'-X" O.C.
BY FABCON

TOPPING
BY OTHERS
RECOMMENDED



X
DX.X

SECTION 2431

1" = 1'-0"