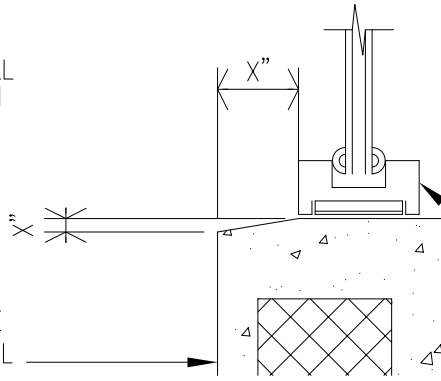


SLOPED SILL
BY FABCON



FRAME MATERIAL
& FRAME INSTALLED
PER MANUFACTURER'S
RECOMMENDATIONS
BY G.C.

DETAIL
1 1/2" = 1'-0"